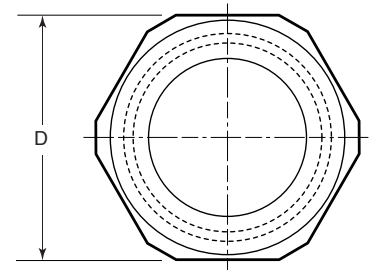
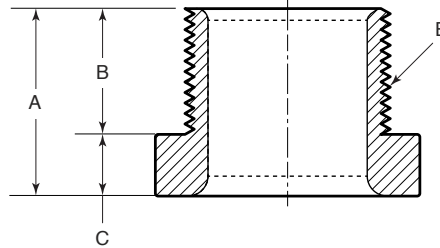
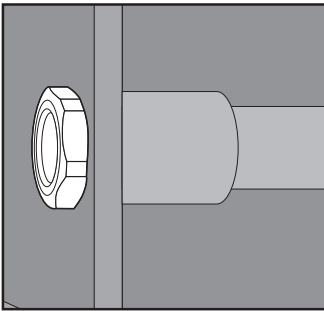


STAINLESS STEEL CHASE NIPPLES



APPLICATION

- Used with a coupling to connect conduit to a box or enclosure or to connect two boxes side by side or back to back with a locknut
- Manufactured in stainless steel to help prevent corrosion
- Can be installed using ordinary hand tools and require little maintenance or repair
- Provided in a bright, polished finish that does not require touch up or painting



PRODUCT DETAILS

Material:
316 SS

Standards:
ASTM A479

Country of Origin:
100% Made in USA

Part Number	Size	Weight/ 100 (lbs.)	Dimension (in.)				
			A	B	C	D	E
CHASE50	1/2 in.	8	0.88	0.56	0.31	1.00	1/2 - 14 NPSM
CHASE75	3/4 in.	12	0.94	0.63	0.31	1.25	3/4 - 14 NPSM
CHASE100	1 in.	17	1.06	0.75	0.31	1.50	1 - 11-1/2 NPSM
CHASE125	1-1/4 in.	25	1.13	0.81	0.31	1.88	1-1/4 - 11-1/2 NPSM
CHASE150	1-1/2 in.	32	1.19	0.88	0.31	2.13	1-1/2 - 11-1/2 NPSM
CHASE200	2 in.	49	1.31	1.00	0.31	2.63	2 - 11-1/2 NPSM
CHASE250	2-1/2 in.	80	1.50	1.13	0.38	3.13	2-1/2 - 8 NPSM
CHASE300	3 in.	124	1.69	1.25	0.44	3.88	3 - 8 NPSM
CHASE400	4 in.	214	1.81	1.31	0.50	4.88	4 - 8 NPSM



© 2021 GIBSON STAINLESS & SPECIALTY, INC. - REV 5/2021

PO BOX 847, GREENSBURG, PA 15601
PHONE: 1-800-945-4316 • FAX: 724-838-1544
WEB: GIBSONSTAINLESS.COM